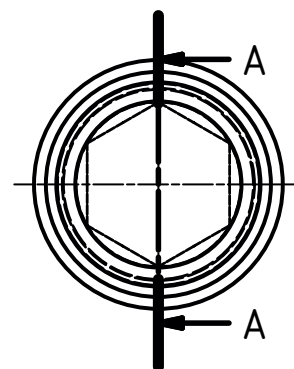
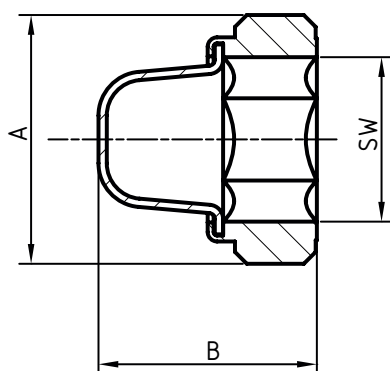
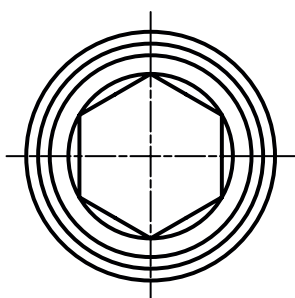


Last chance screw-in filter with filter protection geometry

Please note: Due to mechanical deformation during press-fit process thread size G is 0,03 mm undersize. Thread M is manufactured according tp 6e.



Article Steel / V4A	Thread (A)	Total height (B)*	SW	FINENESS*
43534 / 43542	M8	8–10	4	10–100µm
43535 / 43543	M10	8–12	5	50–500µm
43536 / 43544	M10 x 1	8–12	5	50–500µm
43537 / 43545	M14 x 1,5	12–14	8	10–1000µm
43538 / 43546	G 1/8"	8–10	5	50–100µm
43539 / 43547	G 1/4"	14–16	8	10–1000µm
43540 / 43548	G 3/8"	16–18	10	10–1000µm
43541 / 43549	G 1/2"	16–18	12	10–1000µm
– / 43619	G 3/4"	24–26	17	10–1000µm
– / 43674	G 1"	24–26	17	10–1000µm

* According to fineness.



mf microfilter gmbh

Robert-Bosch-Straße 9 • D-74632 Neuenstein
T: +49 (0) 7942-75630-0 • F: +49 (0) 7942-75630-290
www.microfilter.de • info@microfilter.de

Free size tolerances according to DIN ISO 2768-m
V3 (As of 18.04.2013)

Technical and dimensional
changes reserved